

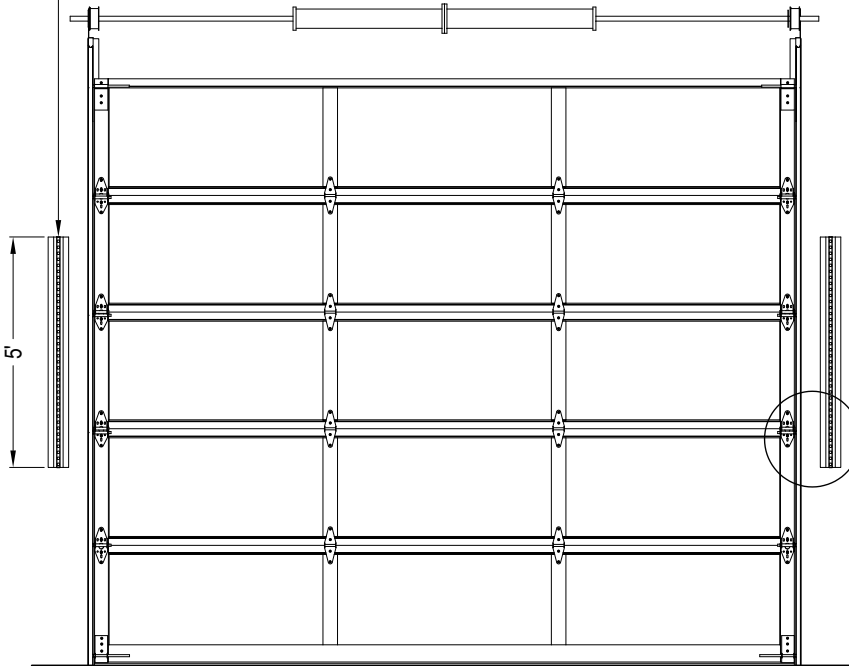


LED SAFETY LIGHT SYSTEMS

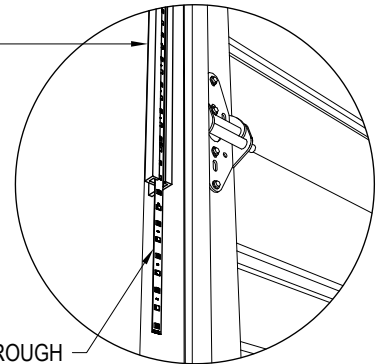
BRINKALERT
 PHONE: (786) 339-9840
 www.brinkalert.com

SOLID RED: WHEN DOOR IS FULLY CLOSED
FLASHING RED: WHEN IN MOTION
SOLID GREEN: WHEN DOOR IS FULLY OPEN

MARK AND DRILL OUT HOLES IN THE 90 °LED RETAINER'S FLANGE WHERE THE GUIDE RAIL BOLTS ARE LOCATED. ATTACH LED RETAINER TRACK TO DOOR'S GUIDE RAILS USING THE EXISTING BOLTS



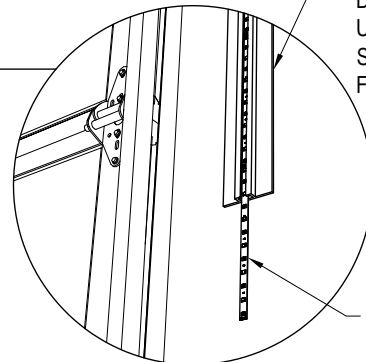
ELEVATION
 STANDARD LED RETAINER INSTALLATION
 (ROLLING STEEL DOORS)



PULL LED THROUGH RETAINER TRACKS FROM BOTTOM UPWARDS

SECTIONAL DOORS

THE STANDARD LED RETAINER IS INSTALLED DIRECTLY ON THE WALL USING SCREWS OR 3 STRIPS OF DOUBLE-SIDED FOAM TAPE PER TRACK



PULL LED THROUGH RETAINER TRACKS FROM BOTTOM UPWARDS

ROLLING STEEL DOORS

SPECIFICATIONS

DSK5-2: LED5 STRIP X 2, 30' HARNESS X 2, PROGRAMMABLE DUAL LED CONTROLLER (DSK), 12V EXTERNAL POWER SUPPLY, 4' 22-4 SIGNAL WIRE CABLE, 5' LED TRACK X 2 (TRACK FLANGE OPTIONS: SINGLE, DUAL, 90DEGREE, 45DEGREE)

LED STRIPS: IP68-RATED

- LED LENGTHS AVAILABLE IN 5',10',15' AND 20'
- FIVE TYPES OF RETAINERS TRACK AVAILABLE
- PROGRAMMABLE LED CONTROLLER
- COMPATIBLE WITH MOST COMMERCIAL DOORS

NOTES:

1. INSTALLATION TO BE COMPLETED IN ACCORDANCE WITH MANUFACTURER'S SPECIFICATIONS.
2. DO NOT SCALE DRAWING.
3. THIS DRAWING IS INTENDED FOR USE BY ARCHITECTS, ENGINEERS, CONTRACTORS, CONSULTANTS AND DESIGN PROFESSIONALS FOR PLANNING PURPOSES ONLY. THIS DRAWING MAY NOT BE USED FOR CONSTRUCTION.
4. ALL INFORMATION CONTAINED HEREIN WAS CURRENT AT THE TIME OF DEVELOPMENT BUT MUST BE REVIEWED AND APPROVED BY THE PRODUCT MANUFACTURER TO BE CONSIDERED ACCURATE.
5. CONTRACTOR'S NOTE: FOR PRODUCT AND COMPANY INFORMATION VISIT www.CADdetails.com/info AND ENTER REFERENCE NUMBER 5414-001.



DOOR SAFETY KIT